

Rapid Prototyping only? Develop your system, rapidly!

[Overview]

SX-Card6 is the system development board with a Xilinx Spartan6 FPGA and Pre-installed USB2.0-IF. Because of the small circuit board factor, this product is suitable for embedded systems without any development risks.

The main feature is ease of use and high performance.

USB2.0 is pre-installed, it is possible to use USB-IF without the knowledge of USB specification. With increasing complexity of FPGAs year after year, FPGA board design and FPGA logic designs are getting more difficult. [power supply circuits, memory interface circuits etc ...]. SX-Card6 reduce the complexity, it is possible to use the complicated FPGA system easily.

Reference application software performs FPGA configuration via USB2.0 in a moment. And, control hardware registers and data transferring between a host PC and some SX-Card6 boards.

By using SX-Card6, reduce total cost and turnaround time of system development, expand your system developing.

This product is made in Japan.

[Hardware spec]

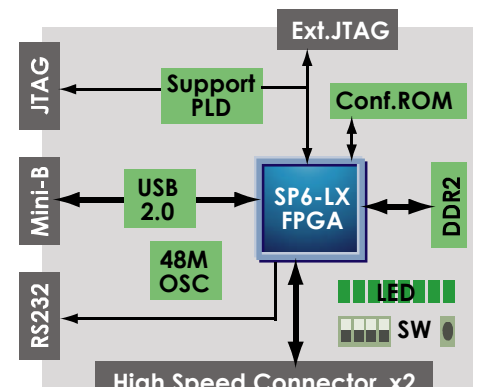
- Biz card size PCB H55 x W91 (mm)
- FPGA Spartan6-LX 676pin BGA
- DDR2 memory (1Gbit : 8M x 16bit x 8bank 667MHz)
- Variable IO voltage 1.2V ~ 3.3V
- Differential signaling available (LVDS/RSDS Max.23ch available)
- Usable I/O connector 200 signals (mezzanine connector: soldering side)
- +5V supply only
- System clock 48MHz
- Current consumption (FPGA blank) 210mA/5V

[Software spec.]

- Pre-installed USB2.0 interface
- Windows 32bit/64bit support
- Linux(Ubuntu8.10, openSUSE11.1rc1)
- Reference application software (Open source : VC++, VB.net, C++Builder)

[FPGA developing tool]

- ISE webpack available : SX-Card6/75C3 only
- P/N : HW-USB-II-G is needed to program FPGA config data to Serial ROM and to program AES key data to PROM or BRAM in FPGA.



<Block Diagram for SX-Card6>

[Ordering information]

Product name :

SX-Card6 system developing board

P/N : SX-Card6/75C3

(XC6SLX75-3FGG676C)

P/N : SX-Card6/150C3

(XC6SLX150-3FGG676C)

Attached accessory

USB cable, power socket (include 3 terminals)

DATA-CD-ROM [USB target device driver, board schematic, USB firmware(onboard), Timing chart of USB interface(GPIF), Flowchart of USB data transferring.]

[Option]

Universal board 2 <P/N : Card-UNIV2 >

AC/DC adapter <P/N : Card6-AC >

* The above specification may change without notice.

Contact us : <http://www.prime-sys.co.jp> e-mail : info@prime-sys.co.jp

Prime Systems, Inc.